










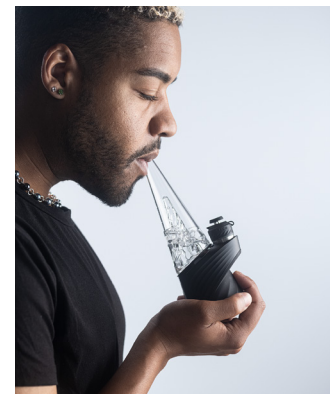
THE NEW

P E A K P R O

The new Peak Pro is the pinnacle of hash technology. This premium smart rig delivers incredible flavor and unparalleled performance. Unlock the fullest potential of the plant with its single-button interface, deep customization via the Puffco Connect app, and patented 3D Chamber. Featuring the Joystick Cap and laser cut perc slots for improved water filtration, enjoy the best hash experience ever in two beautiful colorways – Onyx and Pearl.

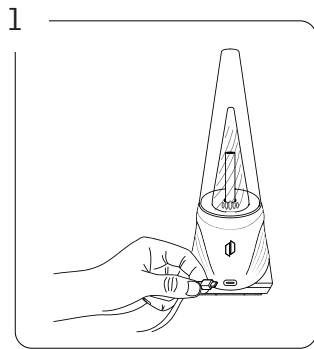
The future of hash is here.

-  3D Chamber
-  Real-Time Temperature Control
-  Large Capacity Chamber
-  Joystick Cap
-  Customizable LED Lights
-  Puffco Connect App
-  Wireless Charging





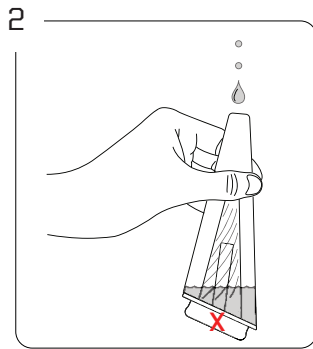
PREPARATION



FULLY CHARGE YOUR PEAK BASE

Light pulses white when charging

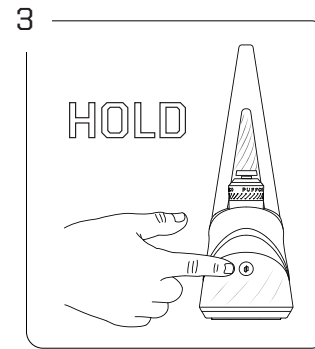
! Low battery = 3 red flashes



FILL GLASS ABOVE AIR HOLES

Remove glass from base before filling with water

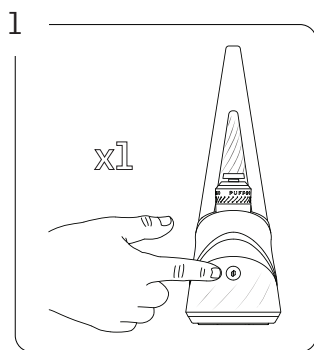
! Do not overfill



HOLD TO POWER THE DEVICE ON/OFF

Hold button for 3 seconds

HOW TO USE

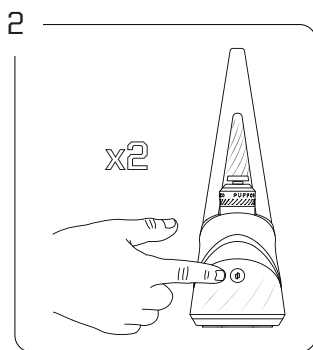


CLICK ONCE TO TOGGLE HEAT SETTINGS

There are four heat settings

Blue lowest - White hottest

! No chamber = 3 white flashes

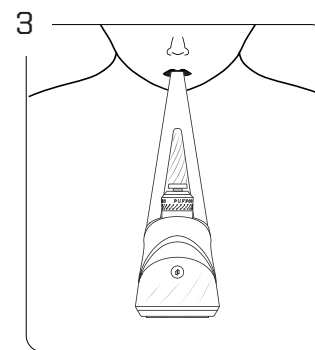


DOUBLE CLICK TO INITIATE HEAT UP

Pulsing light indicates the mode is active

Press and hold button anytime to exit

! Chamber error = red white red white



GENTLY INHALE AFTER BUZZ

The device will vibrate and lights will flash 3 times

Use a cotton swab to clean after use

! Device overheating red for 5 seconds

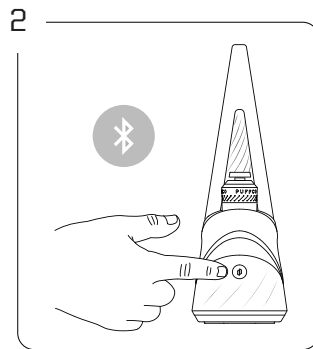
THE APP



APP INTEGRATION

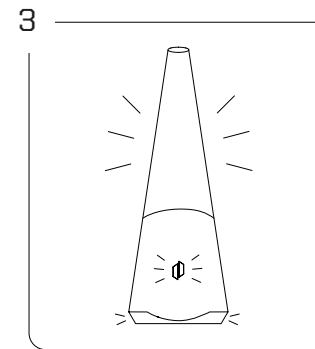
Unlock special features and more

<https://www.puffco.com/pages/app-experience>



HOLD THE BUTTON FOR 6 SECONDS

This puts your device in Pairing Mode



KEEP HOLDING UNTIL DEVICE GLOWS BLUE

Use your app to power the Peak Pro